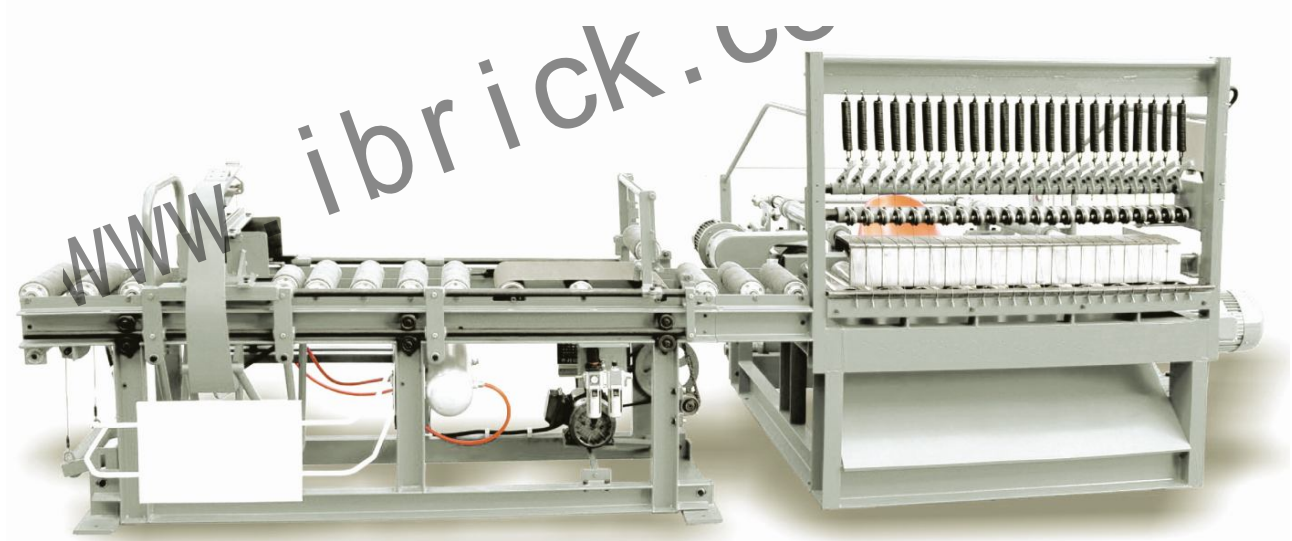


## Column Cutting and Brick Cutting Machine

- Column cutting and brick cutting machine is used to cut the extruded strip into columns and then cut it into pieces.



### On-site Photo



Cut the clay strip into columns



Cut the brick columns into pieces

[www.ibrick.cc](http://www.ibrick.cc)





Cut the brick columns into pieces



Cutting column

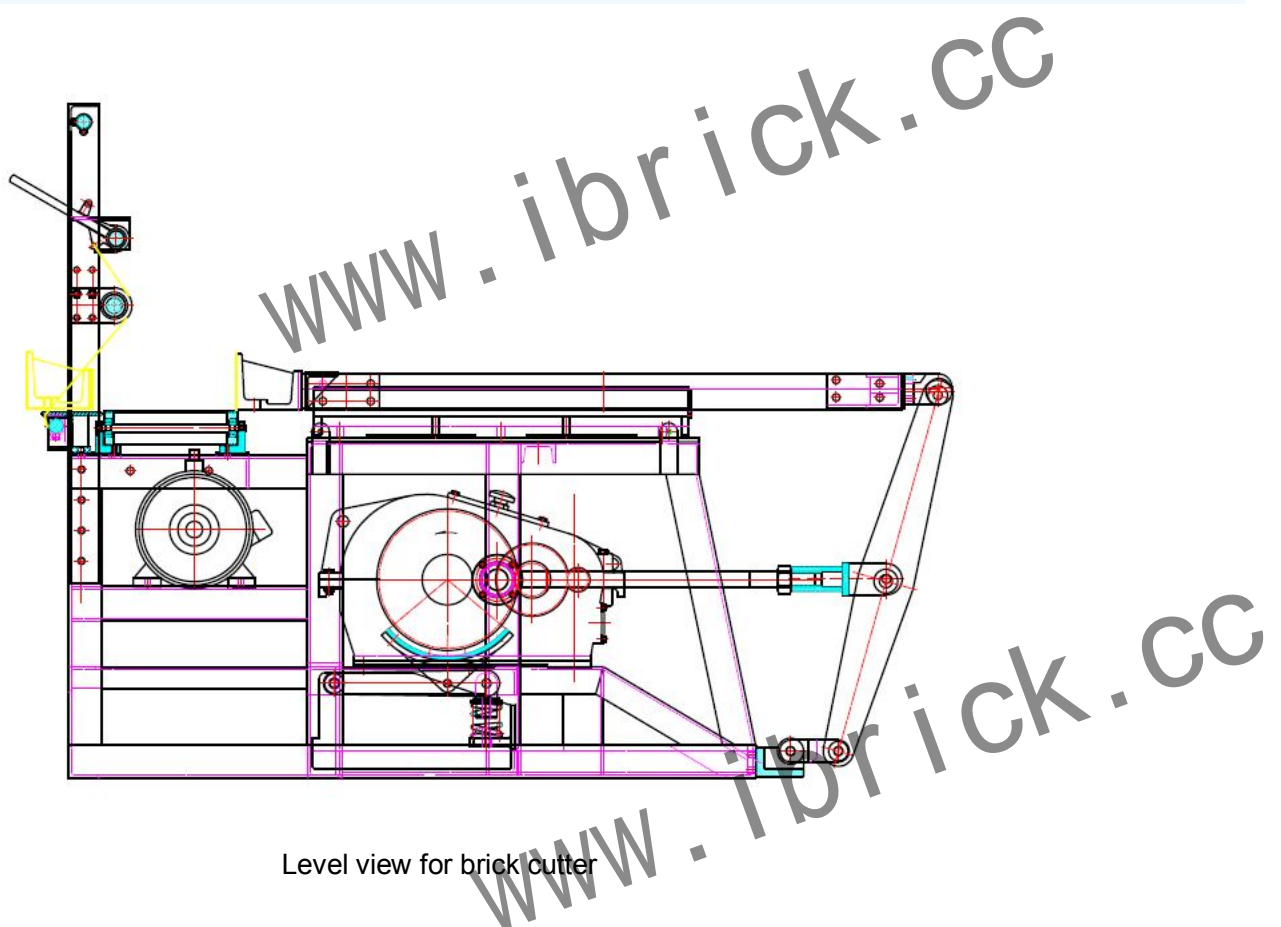


The cut bricks

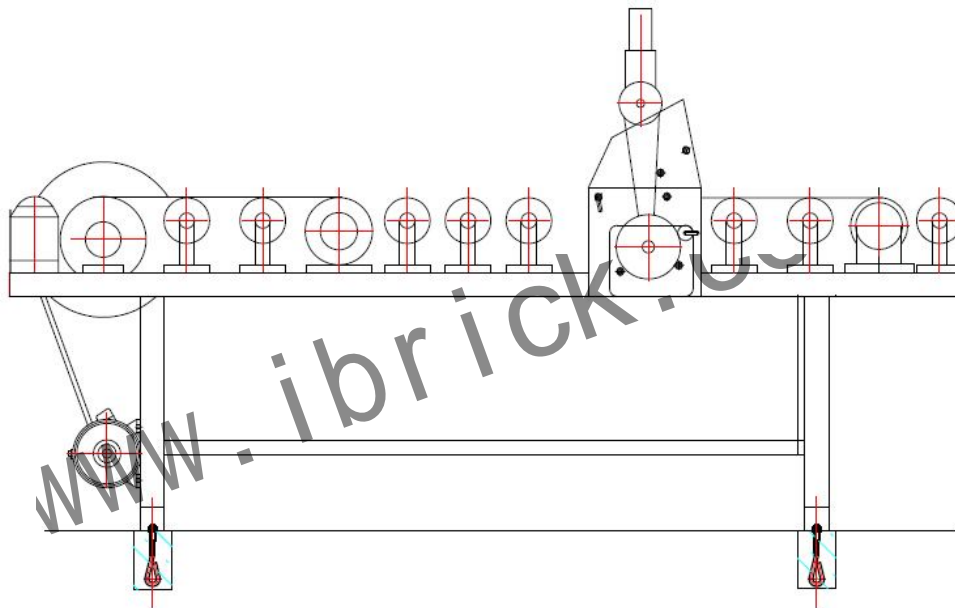
**Primary structure:** brick cutter, brick column cutter







Level view for brick cutter



Level view for brick column cutter

#### Equipment advantages:

This machine consists of vertical automatic column cutter and automatic brick cutter, controls automatically and does not need people to operate it.

#### Equipment parameters:

Model	Equipment frequency (times /min)	The max. column length (mm)	The max. cutting height (mm)
QTQD+QPA2	20	1254	250
QTA1+QPC1	22	1430	260
QTSK+QPSK (Double-column type)	18	1620	260
QTB2+QPD1	20	1760	260
QTB3+QPD2	18	1760	260
QTB4+QPE1	20	1760	260

IBRICK supply various types of column cutter and brick cutting machine suitable for your materials and production capacity, our products apply in Russia, Kazakhstan, Uzbekistan, India, Bangladesh, Egypt, Angola, Mexico, Chile, Peru, Brazil and other countries.

**Shaanxi Ibrick Technology Co., Ltd**

**Add: Rm-B21811, Fortune Plaza, High-Tech  
3rd Rd, High-Tech Zone, Xi'an, China**

**Tel: 0086-29-63364175**

**Fax: 0086-29-63364165**

**Mob: 0086 15991710216**

**E-mail: [info@ibrick.cc](mailto:info@ibrick.cc)**

[www.ibrick.cc](http://www.ibrick.cc)

[www.ibrick.cc](http://www.ibrick.cc)

[www.ibrick.cc](http://www.ibrick.cc)